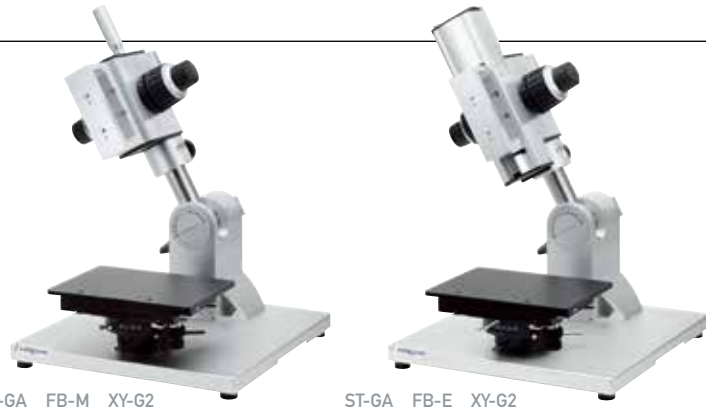


■ Free Angle



<Specifications>

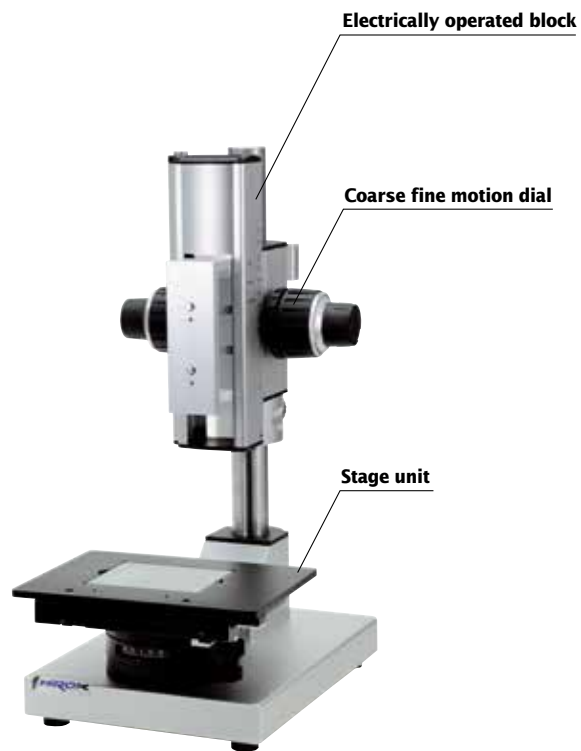
High Precision Free Angle Stand
ST-GA FB-M
Base board pole part high precision block
XY-G2
XY stage block

■ Travel distance: Z axis 85mm/Size:320×320×20-487-φ32
Weight:1.2kg

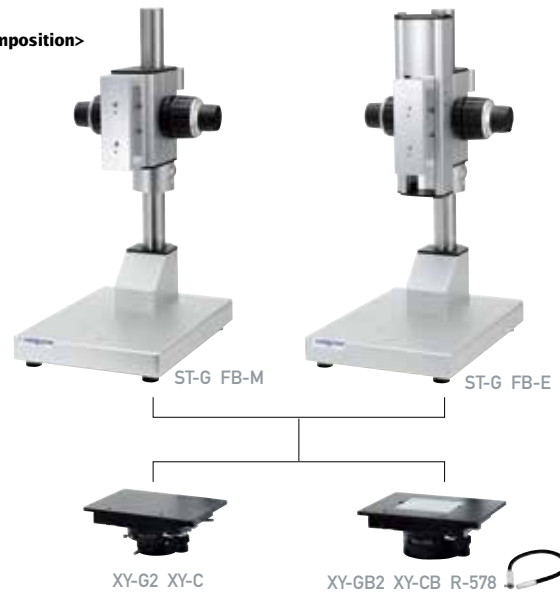
High Precision Motorized Z-Axis Free Angle Stand
ST-GA FB-E
Base board pole part Electrically operated block
XY-G2
XY stage block

■ Travel distance: Z axis Electrically operated part 30mm
manually operated part 85mm
Size:320×320×20-487-φ32/Weight:1.7kg

■ Standard



<Composition>



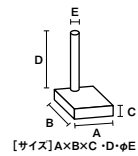
<Specifications>

High precision stand
ST-G FB-M
Base board-pole part high precision block

XY Stage Unit
XY-G XY-C
XY Stage Stage Block

High precision Motorized Z-Axis stand
ST-G FB-E
Base board-pole part electrically operated block

Transmit Lighting XY Stage Unit
XY-GB2 XY-CB R-578
Transmission stage block Transmission unit fiber



■ Super-high-precision stand/ST-G FB-M
Travel distance: Z axis 85 mm/
Size: 200x270x46-446-φ32/Weight:10.0 kg

■ Electrically operated stand/ST-G FB-E
Travel distance: Z Axis Electrically operated part 30mm/
manually operated part 85 mm
Size: 200x270x46-446-φ32/Weight:11.0 kg

■ XY Stage unit/XY-G2 XY-C
travel distance: X axis±38mm-Yaxis±28mm-23mm
Size: 201X140X74/Weight:2.0kg

■ Transmission XY Stage unit/XY-GB2 XY-CB R-578
Travel distance: X axis ±38mm-Y axis-28mm -23mm
Size: 201X140X74/ Weight: 2.1 kg

■ XY Stage/XY-G2
Travel distance: X axis±38mm-Y axis±28mm-23mm
Size: 201X140X34(Excluding dial part)/Weight:1.2 kg

■ Transmission XY Stage/XY-CB2
Travel distance: X axis±38mm-Y axis±28mm-23mm
Size:201X140X34(Excluding dial part)/Weight:1.2 kg

■ Stage block/XY-C
Size: 48-φ100(Excluding protruded part)/ Weight: 750g

■ Transmission stage block/XY-CB
Size: 48-φ100 (Excluding protruded part)/ Weight: 785g

■ Transmission unit fiber/R-578
Length: 500 mm/Weight: 150 g

Hirox Co.,Ltd. <http://www.hirox.com>
2-15-17 Koenji Minami, Suginami-ku, Tokyo 166-0003, Japan
Tel: (+81) 3-3311-9911 Fax: (+81) 3-3311-7722 E-mail: tokyo2@hirox.com

Hirox USA Inc. <http://www.hirox-usa.com>
100 Commerce Way, Hackensack, NJ 07601
Tel: (201) 342-2600 Fax: (201) 342-7322
Toll-Free: (866) HIROX-US E-mail: info@hirox-usa.com

Hirox China Co.,Ltd. <http://www.hirox.com.cn>
Room 809, 8th Floor, Fortune International Plaza,
No. 43 Guo-Quan Road, Shanghai 200433, China.
Tel: +86-21-6564-7772 Fax: +86-21-3362-5017 E-mail: info@hirox.com.cn

Hirox Korea Co.,Ltd. <http://www.hiroxkorea.com>
B-501 Acrotower Bldg, 1591 Gwanyang-dong, Dongan-ku, Anyang-city,
Gyeonggi-do, 431-908, Korea
Tel: +82-31-385-1130 Fax: +82-31-385-9730 E-mail: bgkim@hiroxkorea.com

Hirox Asia Ltd. <http://www.hirox-asia.com>
Unit 827, 8/F, Ocean Centre, Harbour City, 5 Canton Road, Tsimshatsui Kowloon, Hong Kong
Tel: +852 8198-9679 Fax: +852 3015-7657 E-mail: info@hirox-asia.com

Hirox Europe <http://www.hirox-europe.com>
Jyfel, 300 RN 6 Le Bois des Côtes, Bâtiment A F-69760 Limonest, France
Tel: +33 426 25 03 40 Fax: +33 426 23 68 13 E-mail: info@hirox-europe.com

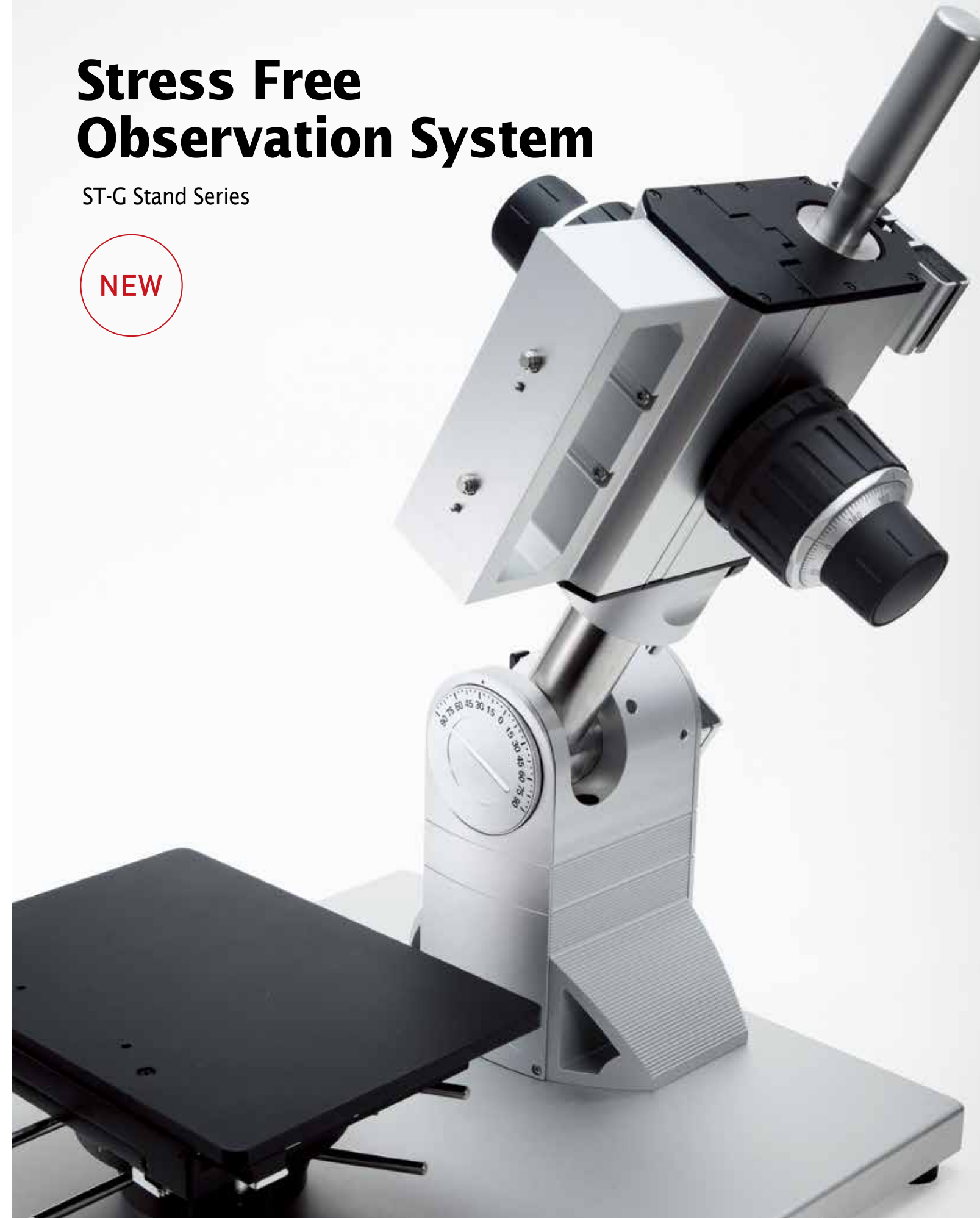
Contact

The products in this catalog may be changed at any time, without notice.

PHP-1408-C032-A_

Stress Free Observation System

ST-G Stand Series




Hirox's New Free Angle Stand

Now the operator is free to choose 180 degrees of inclination and 360 degrees of stage rotation for target observation up to 3500x. Combined with the option of the Electronic Focus Block for 3D observation and height measurements, the ST-GA is undoubtedly Hirox's most versatile stand dete.

Fully functional and Easy to Use


1 [Coarse micromotion dial] **Dynamic Focus**
85mm (3.35Ah) travel range focus block with 2um precision.



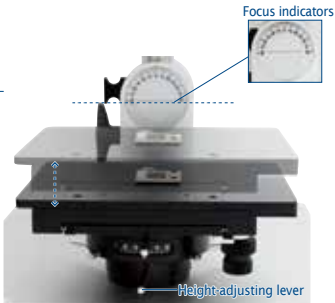
2 [Electrically operated unit] **Motorized Z-Axis**
Accurate height measurement within the micron level.



Motor controller CT-7 (Separately sold)
Controls motorized Z-axis stepping motor.




6 [Angle stage] **Stage Z-Movement**
Easy Z-axis movement allows stress free inclination.



Focus indicators

Height-adjusting lever

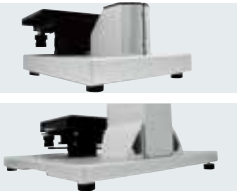
3 [Cable Holder] **Cable Holder**
Tightly secures cables to eliminate fine vibrations.




4 [Stage] **XY Stage**
Large working area supports multiple applications.



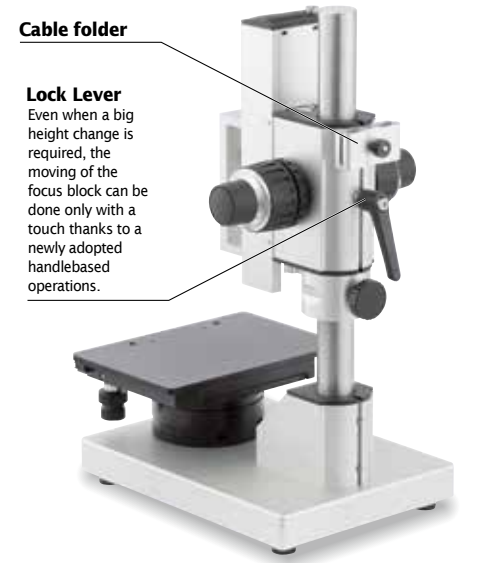
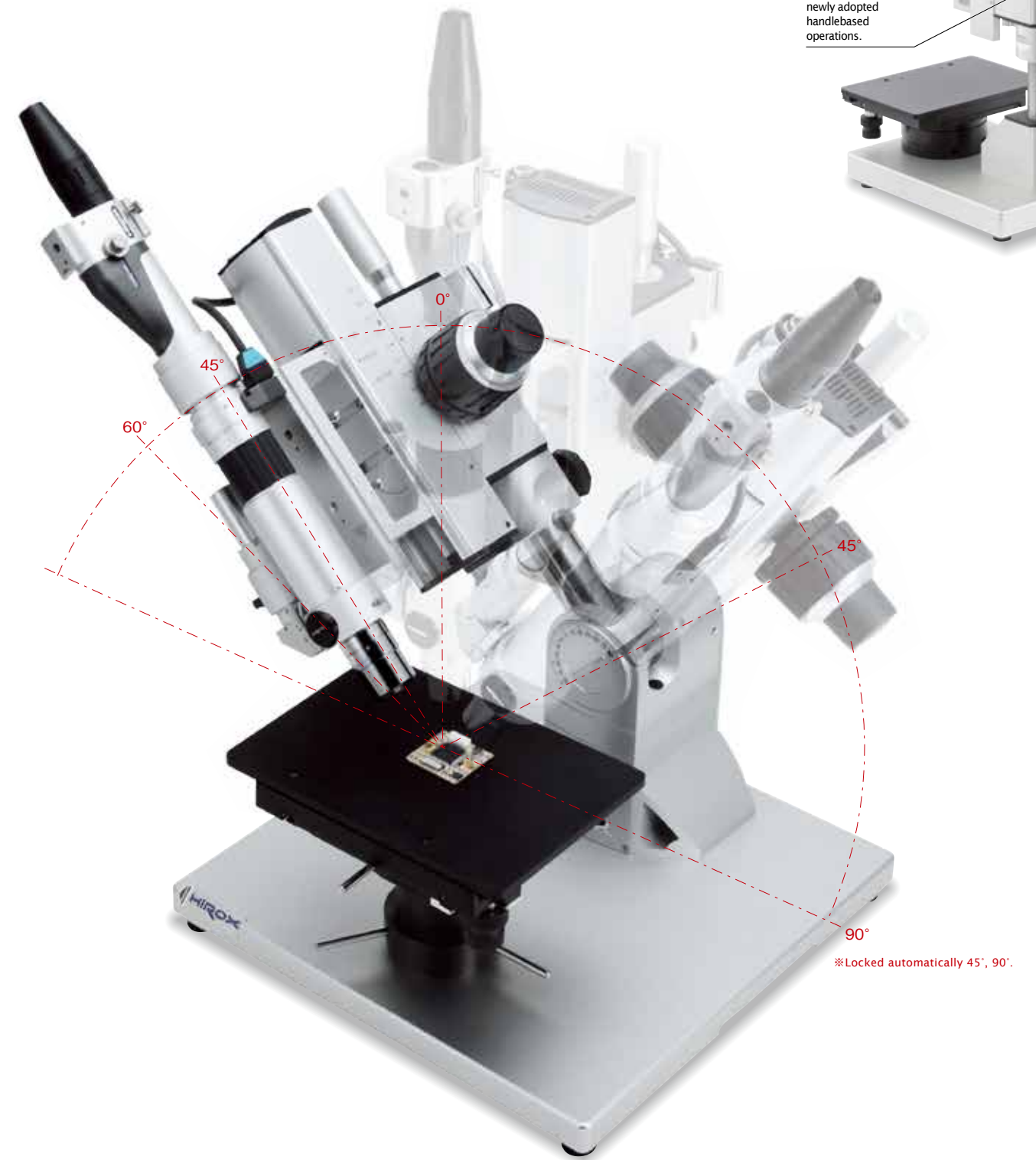
5 [Base] **Structured Stability**
Weight distribution designed to eliminate vibration and specialized material reduces a wide range of vibrations.



7 [Control Part] **Angle Adjustment**
Even when a large change in height is required, due to the large travel range of the focus block, it may not be necessary to adjust the height with the lock lever.
① Release Lever ② Lock lever



Angle indicators



8 [Stage] **Flexible Operation**
Reach unattainable angles with 360° rotation